

**FREIGHTLINER**<sup>®</sup>

*Run Smart*<sup>™</sup>

**FREIGHTLINER**

CASCADIA<sup>™</sup>





CASCADIA™





# The road to greater profitability starts here.

When you let go of all the preconceived notions about how a truck is supposed to look, perform and drive, something remarkable happens. Introducing the Freightliner Cascadia™, a smarter choice for better business and lifestyle.

**More efficient.** The Cascadia's dramatically sculpted exterior reduces aerodynamic drag to an unprecedented minimum. Your payoff: excellent fuel economy that increases your profitability.

**More productive.** Lightweight aluminum construction and weight-saving components boost your payload potential with each and every truckload. Built-in reliability, ease of maintenance and drivability maximize uptime and keep you moving forward.

**A better life on the road.** A wide, spacious and quiet cab; superior ride and handling characteristics; excellent visibility and a selection of comfortable living environments merge to produce an unparalleled driving experience.

**Freightliner Cascadia.**  
*Running smart has never been so easy.*



# Original thinking behind every advance.

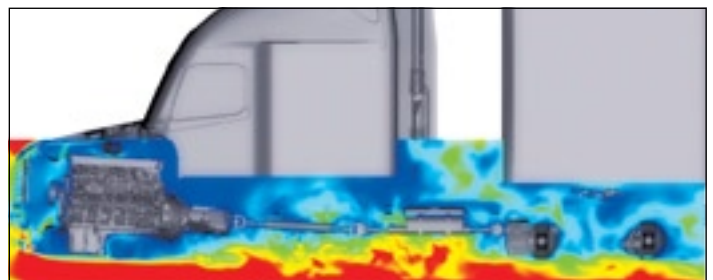
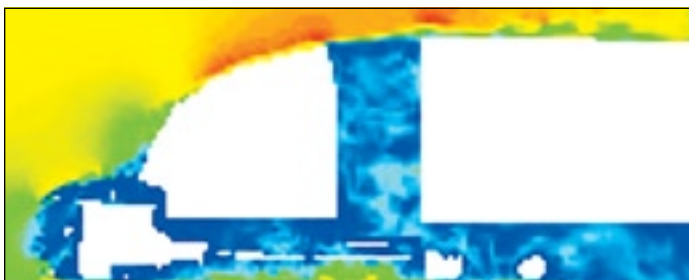
**The objective.** Create a next-generation over-the-road tractor with the best cost/performance ratio in the marketplace. Not just for today, but for the foreseeable future.

The Cascadia started with a clean sheet of paper and an open mind. Freightliner spent millions of dollars to benchmark the competition by tearing down and conducting extensive analysis on our trucks and our competitors' trucks. The findings yielded strengths and weaknesses, and identified best practices that could be applied to the Cascadia. Scores of customers and drivers throughout North America participated in its



development, lending their unique insights and real-world knowledge to the process. Then engineers with decades of experience, aided by state-of-the-art design and simulation tools, refined the Cascadia until they got it just right.

The result is an aggressively confident step in the direction you're already moving: forward.



Engineers employed advanced **computer-aided design tools, computational fluid dynamics and other simulation techniques** to develop, analyze and refine the Cascadia's design. The most promising results were tested full-scale in Freightliner's state-of-the-art wind tunnel for verification.



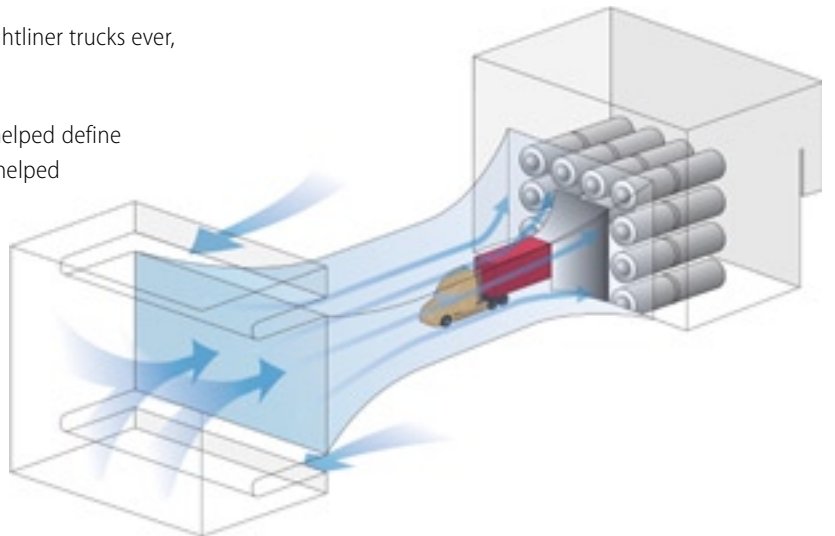




## Pushing the envelope into uncharted territory.

The Cascadia began life as one of the most thoroughly tested Freightliner trucks ever, ensuring its productivity, safety, durability and lasting comfort.

Months in Freightliner's proprietary, state-of-the-art wind tunnel helped define an impressive efficiency story. The first of its kind, full-scale facility helped refine and validate the Cascadia's superior aerodynamics. Then thousands of miles logged under actual operating conditions reinforced its fuel-squeezing bottom-line benefits.



# Proof of concept in exhausting detail.

Cab and major components withstood grueling performance tests simulating millions of miles under the absolute worst conditions you can throw at a truck. The Cascadia is advanced and tremendously strong. In fact, the cab design meets every U.S. and European crashworthiness standard.

The entire HVAC system was tested again and again in Freightliner's climate control chamber at extreme temperatures, and then on the road under tough summer and winter driving conditions. The resulting design guarantees precision performance and comfort.



The Cascadia cab was tortured on a **shaker machine** for millions of simulated miles to ensure structural components, the cab and hood wouldn't fail, and squeaks and rattles over the life of the vehicle would be minimized.



Ergonomic, **robust door handles** endured their share of punishment, as well.



Since drivers might open and close the door an average of 2,800 times a year, the Cascadia features **doors that shut with a satisfying, like-new "chunk"** even after 220,000 lock-unlock-open-and-slam cycles in engineering tests.



**Driver safety** was a top priority in the Cascadia's development, resulting in a cab design so rigid and strong it meets **stringent Swedish and European ECE R-29 crash test requirements.**



**Cutting-edge robotic systems** provide a superior quality finished product, time after time.





**Uncompromised excellence every step of the way.**

Freightliner trucks are built to go the distance. From order sheet to final inspection, the Cascadia endures a rigorous and exacting manufacturing process.

Leading-edge automation and quality testing merge with a passion for craftsmanship in Freightliner's production system to produce superior vehicles you can put to work immediately, with confidence. Manufacturing the Cascadia entails more than 70 robots that guarantee reproducible quality and reliability.







## A shape so refined it will redefine your future.

### Cascadia 72" Raised-Roof SleeperCab

Unlike so many aero conventionals on the market today, the Cascadia is not just an enhancement of an existing model. It's a smarter solution, wrapped in a bold and beautiful aerodynamic envelope that will have you setting the pace for years to come.

From bumper to back-of-cab, the Cascadia's graceful, windswept lines produce the lowest drag coefficient of any Freightliner ever conceived, more like a sports car than a long-distance highway hauler.

The lightweight yet strong aerodynamic bumper directs airflow smoothly into the radiator, around the tires and under the chassis, to reduce turbulence. A large, laid-back grille optimizes cooling efficiency as it guides air along the low, sloped hood, sleek fenders and curved windshield, onward over the truck and trailer. Unique, shorter side extenders are angled outward slightly to preserve aerodynamic performance and increase maneuverability. Lexan® covered headlights, pedestal-mounted aero mirrors and optional full-length chassis fairings complete the package.

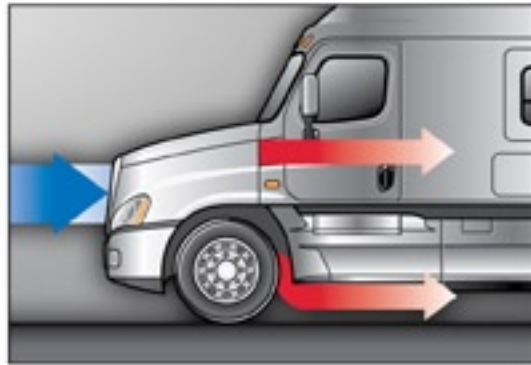


The Cascadia's large yet lightweight cab features stamped and rounded **aluminum sidewalls** with a "tumblehome" design to create a stiffer structure devoid of buzz, squeaks or rattles.





The curved, **three-piece bumper** is aerodynamic and lightweight to reduce fuel costs. If the bumper is damaged, only the damaged section needs to be replaced, reducing repair time and costs.



Effective management of **under-hood airflow** reduces aerodynamic drag and improves engine cooling efficiency.



**Lightweight, one-piece exterior sun visor** combines traditional style with aerodynamic efficiency. The molded visor cover keeps rainwater and debris out of integral marker lamps.



Pedestal-mounted, **lightweight aero mirrors** are exceptionally stable for minimum vibration. Hood-mounted mirrors were included in the factory design to maximize the viewable blind spot area. These mirrors rest on a secure, built-in hood support placed forward to reduce splash from road spray. In designing the mirror mounting, more than 100 different positions were tested to define optimal viewing of the rear, and to minimize blind spots.

The Cascadia is available in both **day cab and sleeper** configurations.



113" BBC DAY CAB



125" BBC DAY CAB



48" XT



60" XT



72" XT



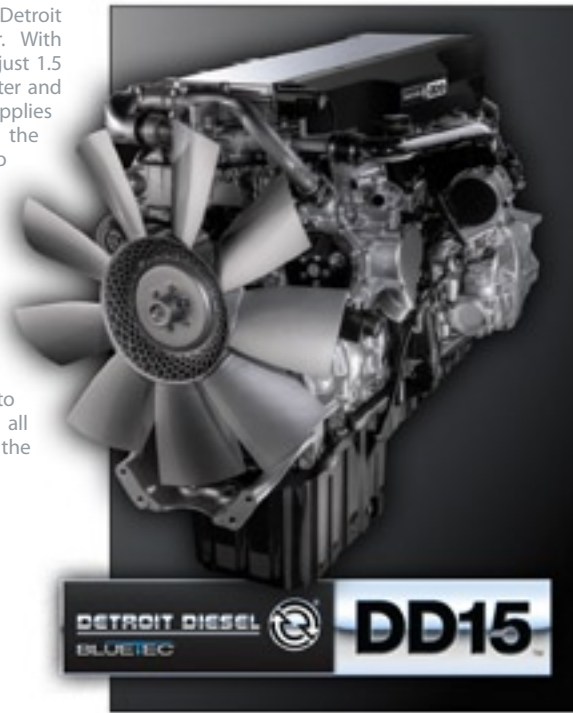
60" RAISED-ROOF



72" RAISED-ROOF

**Made for each other.** The Freightliner Cascadia and Detroit Diesel DD15™ engine were designed to work together. With the ability to fire a Cascadia up to 90% peak torque in just 1.5 seconds, the DD15 delivers the power to do the job faster and easier. An Amplified Common Rail Fuel System supplies just the right amount of fuel at the precise moment the engine needs it for amazing torque response. Turbo compounding recovers exhaust gases and turns them into usable power without sacrificing economy. Add Detroit Diesel's BlueTec® SCR emissions technology and you get up to 5%\* greater fuel economy and significantly extended regeneration intervals to boost engine longevity. You'll see bottom-line results from day one. For more information about SCR technology, visit [freightlinertrucks.com](http://freightlinertrucks.com) or [detroitdiesel.com](http://detroitdiesel.com).

**Choose your engine.** The Freightliner Cascadia is built to handle the Detroit Diesel DD13™, DD15™ or DD16™ — all with BlueTec SCR emissions technology. Or, choose the Cummins ISX15 with SCR.



*\*Comparing a DD15 EPA 2010 engine with BlueTec emissions technology to similarly spec'ed DD15 EPA 2007 engine with comparable engine ratings and load weights.*



Detroit Diesel DD16

Detroit Diesel DD13

Cummins ISX15



**Increase fuel efficiency with GPS.** Rather than maintaining a preset speed, Run Smart Predictive Cruise™ uses digital maps and satellite-based route previews to look ahead one mile in advance. The on-board computer calculates the optimum speed needed to use the truck's momentum and adjusts engine output to the uphill and downhill gradients ahead.



The Cascadia's set-back axle position and up to **50-degree wheel cut** produce a short turning radius and excellent maneuverability — qualities a driver can really appreciate in tight docking situations.



Cascadia Day Cab





## Sure-footed agility and a healthy appetite for payload.

Leading-edge aerodynamic design is only part of the Cascadia's Run Smart equation. Built-in capability, productivity and reliability also are factors you'll come to appreciate.

Even with its wider, taller cab, the Cascadia is still one of the lightest linehaul tractors on the market, ensuring maximum payload capacity. Responsive steering, up to 50-degree wheel cut and exceptional visibility produce a highly maneuverable truck that is easier to drive.

And ride? The Cascadia will have drivers yearning for the road. An advanced front and rear cab mounting system reduces roll, vibration, noise and

accompanying fatigue while enhancing feel. Freightliner front and rear suspensions elevate driving comfort to levels usually found only in fine automobiles.

Engine options with ratings from 350 to 600 horsepower include the most advanced, efficient diesel engines available from Detroit Diesel and Cummins. The Cascadia comes standard with a large 1,625 square-inch radiator and features a 1,755 square-inch option for cooling big-bore engines.

Best of all, the Cascadia is a truck you can count on, engineered and manufactured to log maximum revenue miles with round-the-clock reliability.



**Bold new benchmarks  
in intuitive control.**





You're looking at one of the most efficient and comfortable environments ever developed for professional drivers.

The Cascadia's automotive-style wraparound dash puts switches and controls well within reach for decisive activation via strong, soft-touch paddles. Backlit gauges, in three available packages, are easy to read day or night. Steering wheel mounted controls — for cruise, marker lights, engine brake and optional Driver Message Center — facilitate safer, less stressful operation. The steering column tilts and telescopes, accommodating precise, personalized adjustment.

The dash is mounted low and combines with a large windshield, sloped hood and broader mirror coverage to offer excellent all-around visibility.

Then there are the things you can only experience while underway. The Freightliner SmartShift® control, for instance. Mounted on the steering column, it controls the optional automated mechanical or fully automatic transmission. This provides hands-on-the-wheel control and frees up space between the seats. The state-of-the-art climate control emits 20 percent greater airflow than typical systems. All of this, combined with the hush of a uniquely quiet cab, will completely change your driving experience.

# A command center with a difference.

Here is a truck interior as compelling as its exterior and just as rewarding.

For openers, cab doors are taller and wider than in most other trucks. The cab itself offers more head, leg, belly and elbow room than any other conventional on the road today.

The Cascadia's seats are wider, longer and taller, with longer arm rests and advanced suspension technology for a smooth, comfortable ride, no matter who's at the wheel. And, with two feet of step-free space between the seats, sleep-access is a walk in the park.



Generous lighting gently illuminates the interior to reduce eye strain and add visual warmth. Extensive testing helped provide the optimum placement and design of multifunctional lights over the driver and passenger seats.



**Seat controls** feature lateral and lumbar support, plus many adjustment options, including more rearward travel than most trucks for additional leg room.

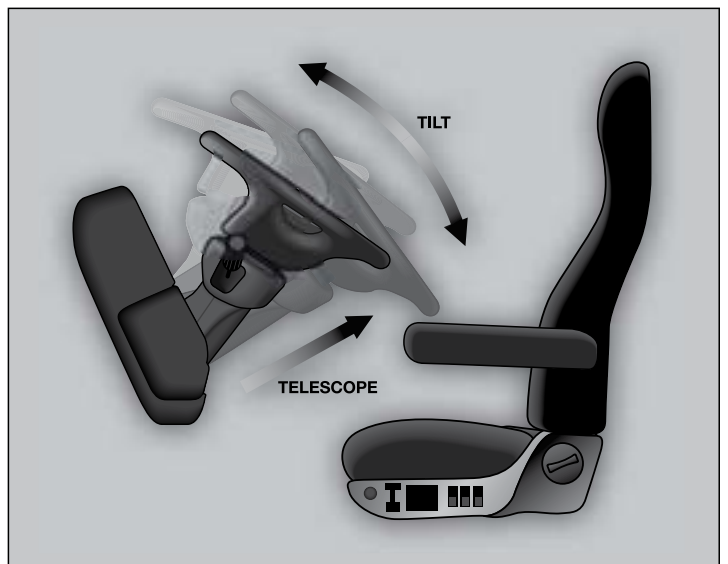
High-tech thermal and sonic insulation throughout the cab and sleeper, coupled with a high-capacity HVAC system of truly advanced design, keep the environment ultra quiet and comfortable at all times.



An **advanced HVAC system** with eight blower speeds delivers 20 percent more airflow than typical truck systems for quick and precise comfort control.



The optional **Driver Message Center** provides timely, easy-to-understand information about the vehicle's operation, including fuel economy, outside temperature, equipment faults, fluid levels, trip time, miles driven and idle hours.



The steering wheel, with **foot-actuated tilt and telescoping functions**, provides a just-right fit every time.





The Cascadia's spacious cab is designed for maximum comfort. Road-wise, ergonomic seats — with suspensions tuned specifically to the vehicle's ride — accommodate drivers of every shape and size. Seats are also two inches wider, taller and longer than most. With a full 24 inches between the seats, you've got room to breathe, and then some.



**A lifestyle that's also  
state-of-the-art.**





The Cascadia's luxury surrounds a driver with plush textures in both mid- and premium-level interior packages. Surfaces are gracefully curved, with color that's molded-in, not painted-on, for durability and lasting value. Amenities are plentiful.

Raised-roof models — the ultimate in sleeper comfort — feature a towering 90 inches of headroom, double bunks and storage enough for two.



## There's no place like home. But when you're on the road, there's no place like the Cascadia.

Whether you choose a mid- or raised-roof configuration, the Cascadia's sleeper is luxurious and spacious, yet highly efficient. Drivers will find plenty of accessible storage for personal items and traveling essentials. Fabrics and surfaces are stain-resistant and easy to clean.

Cabinets are modular in a highly customizable layout that can suit a driver perfectly. Choose from a variety of durable, rattle-free cabinet, shelving, accessory and workstation options. There's room for a TV/VCR combo, as well as a refrigerator that mounts at mid-level for straightforward access.

Large, optional access doors facilitate sleeper access and parked ventilation. Sliding side windows with screened vents are also available for added ventilation and ambient light.

Bunks are roomy, designed for quality rest, and easily lift to access under-bunk storage. Sleeper controls are located close to the bunk, within arm's reach. A separate upper bunk console is also available. When the engine is off, the fully integrated, battery-powered ParkSmart™ HVAC System (optional) kicks in to keep the sleeper comfortable.



A **wall-mounted console** controls all of the sleeper conveniences, including HVAC and the dome light.





Cascadia 72" Raised-Roof SleeperCab



Cascadia 72" XT SleeperCab

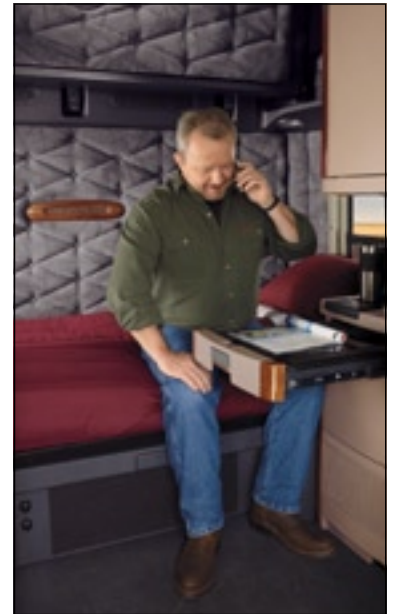
72" XT boasts **78 inches from bunk base to ceiling**. Optional upper bunk or cabinets add storage and maximize space.



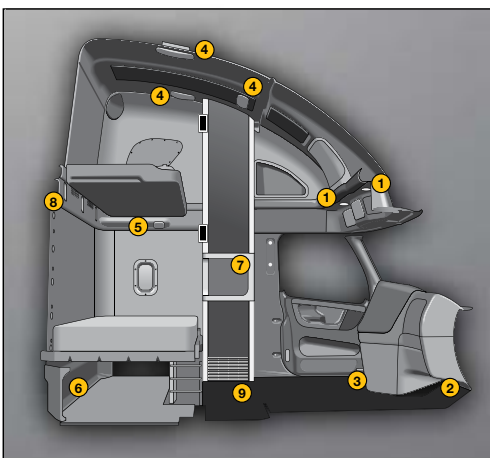
Accessory options include **optional TV pre-wire and frontloading refrigerator**, mounted where you can get to it without bending over.



**Modular cabinet and storage options** personalize the Cascadia's interior space. Choices include hanging closets, shelving, drawers and cabinets with doors in multiple configurations.



A **pull-out desk** offers a solid surface for filling out your log book, conducting business, operating your laptop or dining in comfort.



**Abundant lighting**, well-planned and strategically placed, warms the interior. There are multifunction lights over the driver and passenger seats, a general dome light, a focused work light and a red map light. Even under-bunk storage areas are well lit. Reading and work lights are exactly where they should be. And doorwell lights illuminate entry steps when the door is open.

- 1 Overhead Dome/Reading
- 2 Footwell Light
- 3 Exterior Step Lighting
- 4 General Sleeper Lighting
- 5 Lower Bunk Reading
- 6 Baggage Area Lighting
- 7 Writing Surface Lighting
- 8 Lower Bunk Convenience Light
- 9 Rear Footwell Lamp

*\* Optional lighting zones included in upgrade package.*



The entire **under-bunk space** is available for storage, accessible via outside baggage doors or by raising the bunk with an easy-lift, strut-assist mechanism.





Cascadia 72<sup>®</sup> XT SleeperCab



Batteries are accessed through a door and latch system built into optional side fairings.



A detachable three-piece rain tray provides quick rear engine access. The removable middle section puts the top of the engine at your mechanic's fingertips.





# Pitstop-quick service engineering.

The Cascadia needs less service than most, thanks to more reliable components with longer service intervals and thoughtful design details that keep a truck on the road, where it belongs.

The standard roped-in windshield, for example, can be replaced within half an hour. Headlamps are standard items, widely available and easy to access without tools. A rugged three-piece bumper offers replaceable end caps. And the hood and fender assembly is composed of three discrete sections making it easier, faster and less expensive to repair.



The hood opens wide for easy engine access, and fluid reservoirs can be checked at a glance. System Activation Modules provide technicians with a wealth of diagnostic information to quickly and accurately monitor, troubleshoot and repair the electrical system. Exposed fasteners put wiring, gauges and other behind-dash items readily at hand. Electrical wires are color coded and numbered for easier circuit tracing. A Power Distribution Center puts all fuses and circuit breakers in a single location behind the glove box. Convenient

service doors provide direct entry to the HVAC system. Batteries, positioned close to the starter and alternator for minimum voltage drop, are a cinch to replace.

The quick-to-service ingenuity beneath the Cascadia's sleek aerodynamic exterior means more time on the job, less downtime in the shop and more money in your pocket.



Choose standard dash configuration or **optional removable gauges**. Just pull out a gauge and replace it. Or, move gauges around to change up your dashboard. It's as easy as pulling one gauge out and putting another one in.



**The hood opens wide;** the engine and **see-through fluid reservoirs** are placed in easy view and reach for daily inspections and routine maintenance.

# Peace of mind for the road ahead.

## Unmatched service and support.

With more than 400 Freightliner dealer locations across North America, customers are never far from the convenient service and support they have come to expect from the industry leader. In addition, over 200 Freightliner ServicePoint® facilities located at TravelCenters of America and Petro Stopping Centers offer certified repair and warranty work. When you need a factory-certified engine technician, Detroit Diesel offers more than 800 locations in North America. Freightliner also maintains strategically located parts distribution centers throughout North America, ensuring fast parts delivery to keep customers up and running.

Freightliner's Customer Assistance Center provides customers a hotline that's available 24 hours a day, seven days a week. Customers may call the toll-free number (1-800-FTL-HELP)



for technical support, to arrange roadside assistance or towing services, or to locate the nearest dealer or service center.

## A simple purchase process that's second to none.

Purchasing a truck is one of the most important decisions a company makes, whether buying one truck or a fleet of hundreds. With this in mind, Freightliner makes the buying process easy, with highly-trained sales consultants and one of the largest dealer networks in the industry, so businesses don't have to look far for their next purchase. Trucking professionals count on Freightliner dealers for reliable product information, truck parts and service, and ongoing customer support.

## Financing is easy.

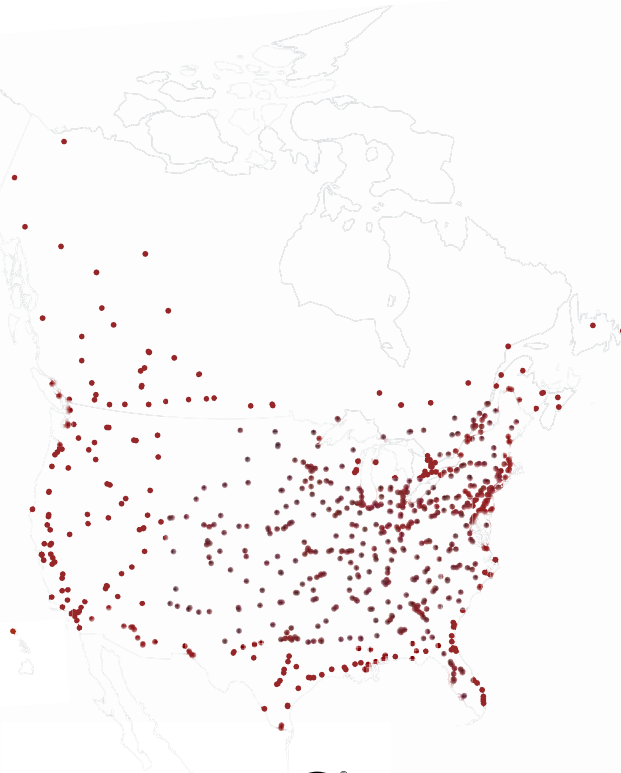
Daimler Truck Financial (DTF) offers a variety of options, including loans and leases tailored to the trucking industry, that make financing go smoothly. DTF has been meeting the financing challenges of customers for nearly 30 years. It offers solutions for owner-operators or fleets from ten to 1,000 vehicles, with conventional retail financing at attractive and competitive rates, a variety of terms to match cash flow, and up to 100% financing for qualified customers.



DTF has been meeting the financing challenges of customers for nearly 30 years. It offers solutions for owner-operators or fleets from ten to 1,000 vehicles, with conventional retail financing at attractive and competitive rates, a variety of terms to match cash flow, and up to 100% financing for qualified customers.

**Daimler Truck Financial**

Financing that works for you.



**DETROIT DIESEL** 



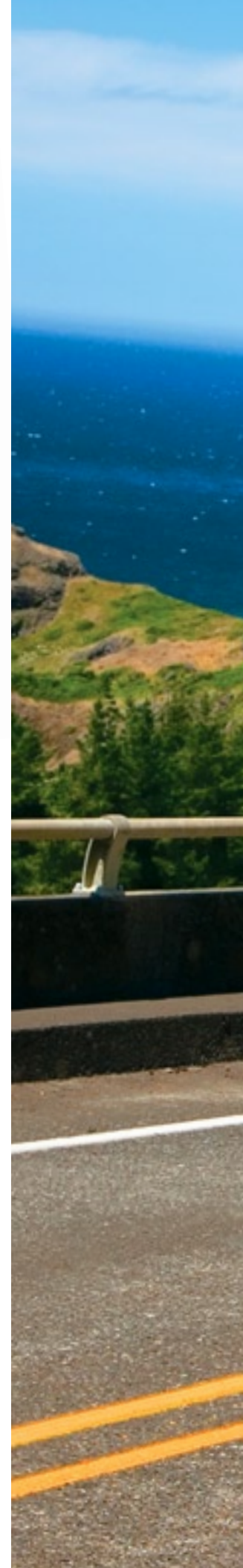
## Comprehensive warranties for added peace of mind.

Freightliner stands behind its trucks every step of the way. We offer one of the most comprehensive warranties in the business, as well as a variety of extended warranties.



## Reliable, affordable parts.

Freightliner's private label products, sold under the Alliance Parts brand, offer quality parts at affordable prices. From starters and batteries to belts and brake drums, Alliance parts, accessories and components fit virtually all types of medium- and heavy-duty trucks. Alliance also offers an extensive line of remanufactured components such as engines, transmissions, clutches and more. Alliance parts are sold at Freightliner dealers throughout the U.S. and Canada.











*Run Smart™*

[DriveCascadia.com](http://DriveCascadia.com)

Competitive financing available through Daimler Truck Financial. For the Freightliner Trucks Dealer nearest you, call 1-800-FTL-HELP. [www.freightlinertrucks.com](http://www.freightlinertrucks.com). 45M, 3/10, FTL/MC-B-960. Specifications are subject to change without notice. Freightliner Trucks is registered to ISO 9001:2000 and ISO 14001:2004. Copyright © 2010. Daimler Trucks North America LLC. All rights reserved. Freightliner Trucks is a division of Daimler Trucks North America LLC, a Daimler company.